

Kelvinator 

Factory Parts Catalog

Product No.	KCG200GW0
Series	Commercial
Color	white
Volts	115
Owner's Guide	297147500
Market	North America

 **Electrolux**

Electrolux Major Appliances
North & Latin America
P.O. BOX 212378
AUGUSTA, GA 30917

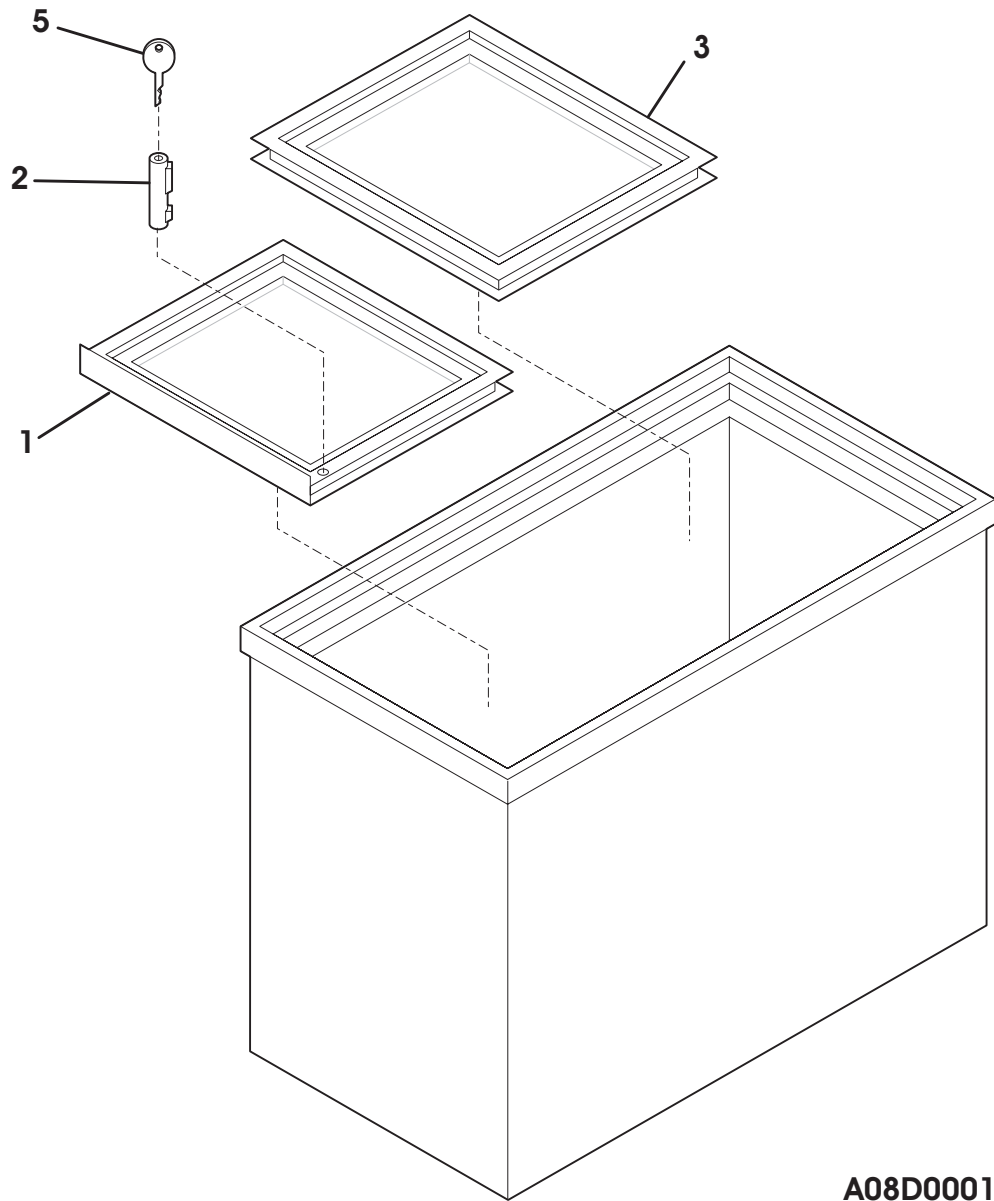
Publication No.
5995484861
07/02/22
(EN/SERVICE/MLR)
365

FREEZER CHEST

Model No.
KCG200GW

Copyright © 2007 Electrolux Home Products, Inc.
All rights reserved.

DOOR

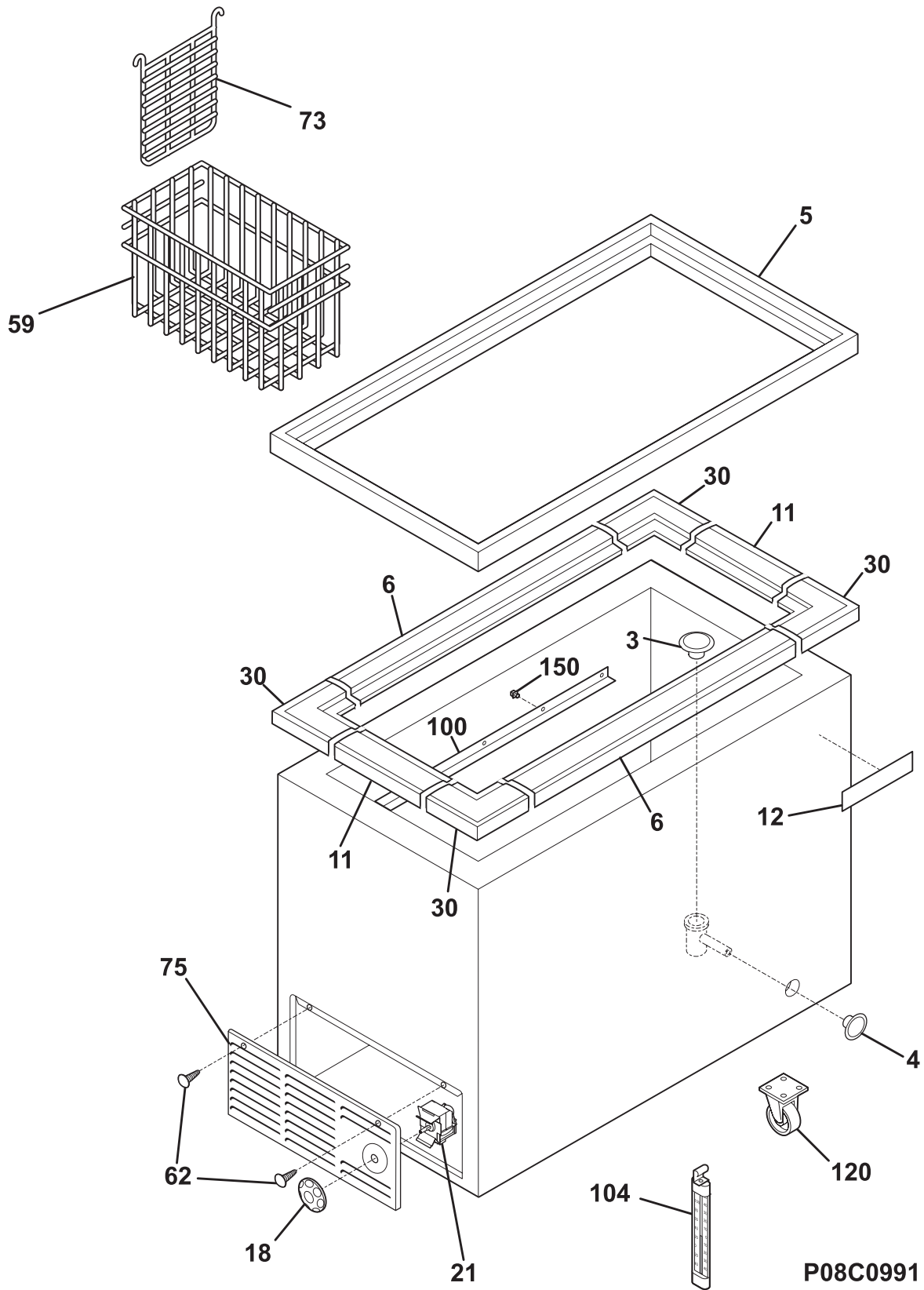


A08D0001

DOOR

POS. NO	PART NO.	DESCRIPTION
1	216620613	Lid, chest freezer, glass, upper
2	216621200	Lock Assy, frzr lid
3	216620713	Lid, chest freezer, glass, lower
5	216621300	Key, frzr lid lock

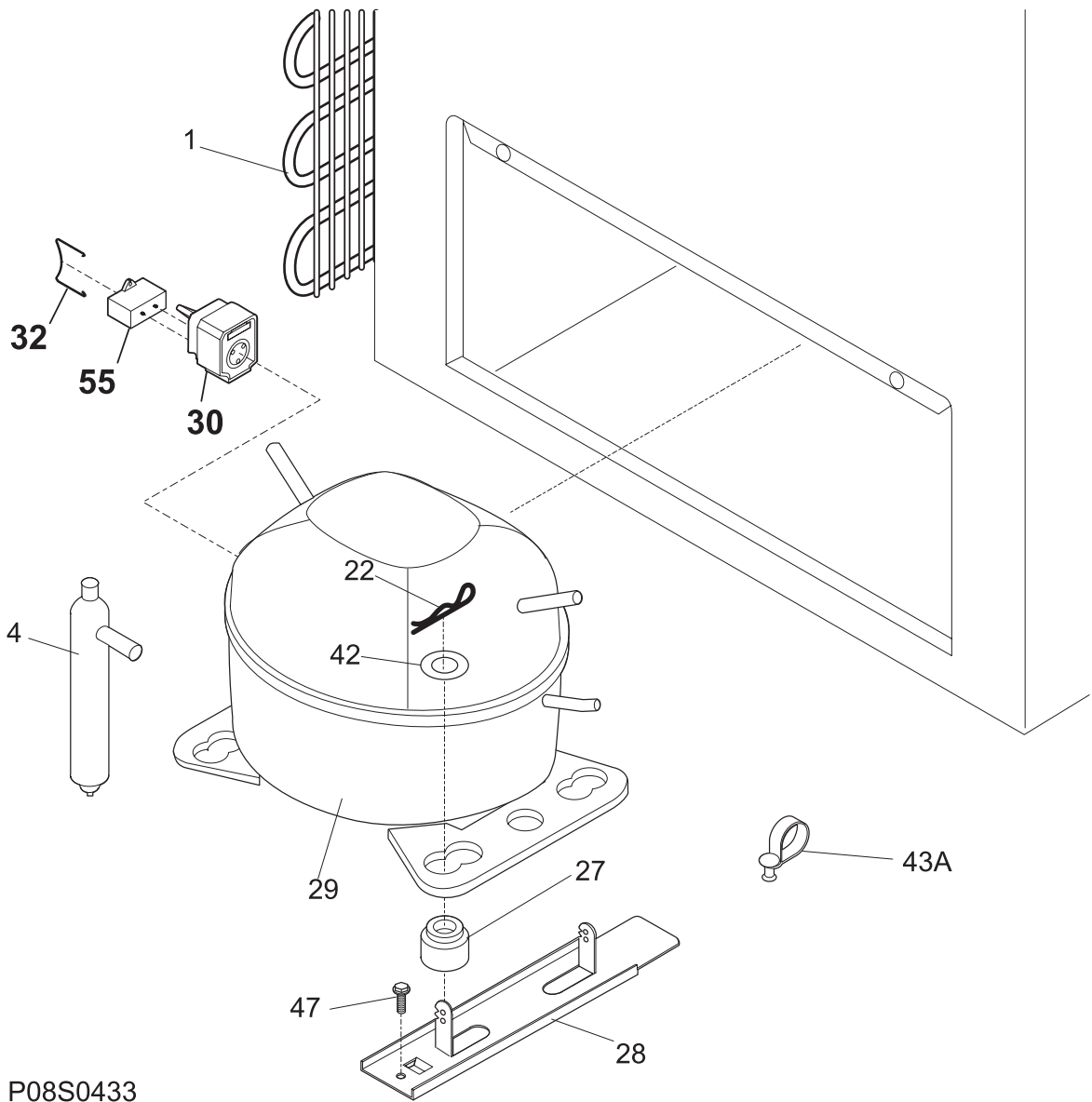
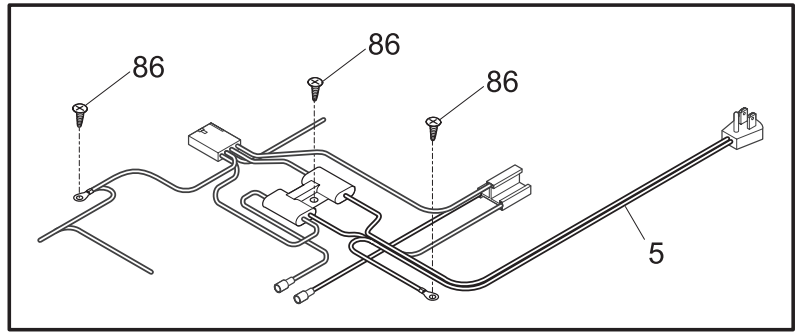
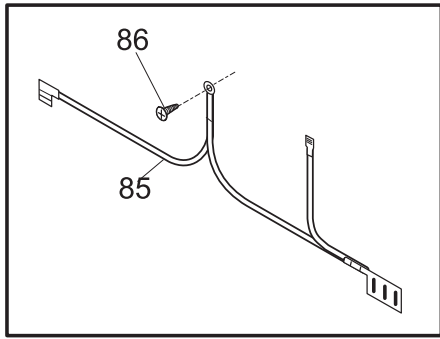
CABINET



CABINET

POS. NO	PART NO.	DESCRIPTION
3	216502600	Plug, drain, interior
4	297013600	Plug, drain, exterior
5	216620513	Frame, outer
6	216955513	Breaker, hinge side
11	216955500	Breaker, chest end, (2)
12	297146600	Nameplate, Commercial
18	216707201	Knob, temp control
21#	216714601	Control temperature
30	216110700	Breaker, corners
59	216506100	Basket, chest freezer
62	131420300	Screw, cr truss head, 8-18AB x 0.750
73	216506200	Divider, basket
75	216034301	Panel, access, white
100	216995210	Track, basket
104	297070100	Thermometer
120	216621000	Caster
150	216997400	Support, track-basket
*	216649700	CASTER PACK, 4 casters, wrench, 16 screws
*	5303305324	Paint, touch-up, white

SYSTEM



P08S0433

SYSTEM

POS. NO	PART NO.	DESCRIPTION
1 #	5303280307	Condenser
4 #	216938600	Drier-filter
5 #	216987200	Harness-main
22	216056400	Clip, compressor mtg, SPRING
27	5308002681	Grommet, compressor
28	5303212615	Support, compressor
29 #	297048200	Compressor, w/o electricals
30 #	297048300	Controller
32	241544101	Clamp, elec cont mtg, compressor, bale wire
42	216232700	Washer, flat, 1"OD x 0.531"ID
43A	5303212614	Clip, harness mount
47	216629600	Screw, hex washer head, 10-16 x 0.500, tapping
55	218909915	Capacitor, run, 220 VAC, 15 microfarad
85	216533500	Wire, ground
86	216036600	Screw, ph washer head, 8-32CA x 0.500, thread forming
*	297102800	Spacer-tube