

**Kelvinator** 

## Factory Parts Catalog

Product No.	KCS200GW0
Series	Commercial
Color	white
Volts	115
Owner's Guide	297147500
Market	North America

 **Electrolux**

Electrolux Major Appliances  
North & Latin America  
P.O. BOX 212378  
AUGUSTA, GA 30917

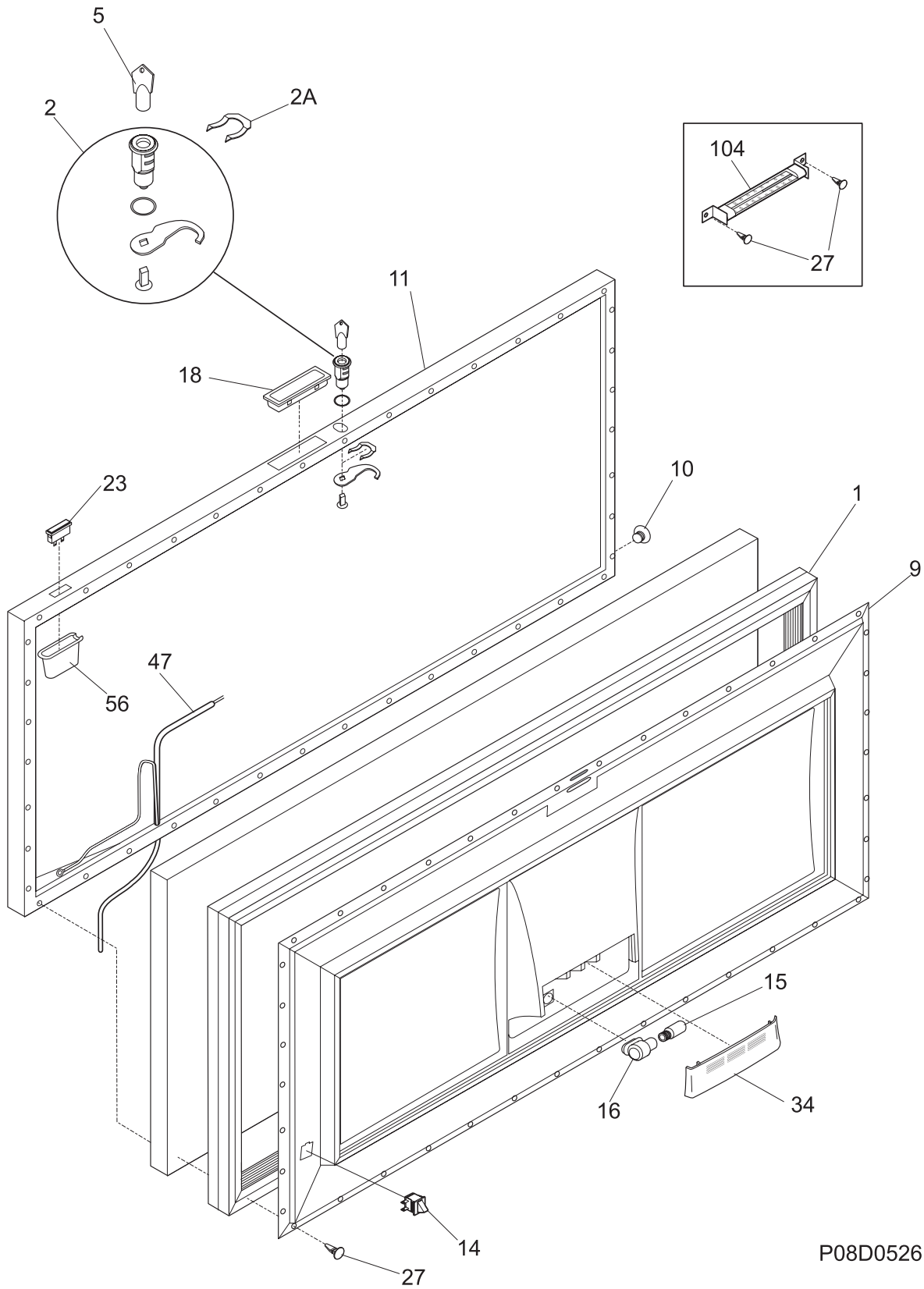
Publication No.  
**5995485165**  
07/02/27  
(EN/SERVICE/MLR)  
365

### **FREEZER CHEST**

Model No.  
**KCS200GW**

Copyright © 2007 Electrolux Home Products, Inc.  
All rights reserved.

DOOR



P08D0526

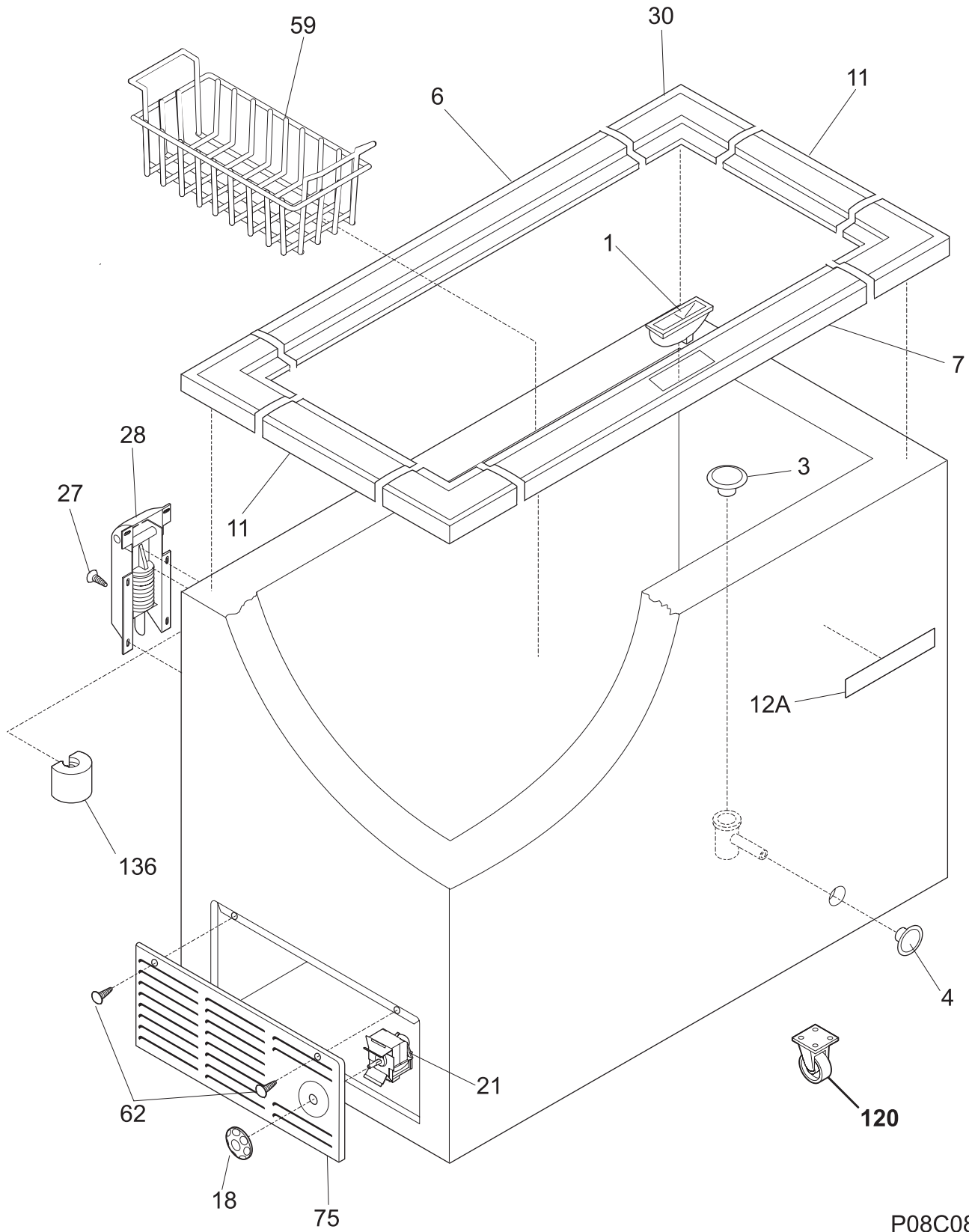
---

**DOOR**


---

POS. NO	PART NO.	DESCRIPTION
1	216481401	Gasket, lid seal, white
2	297090100	Lock Assy
2A	297090900	Clip, SPRING
5 #	216702900	Key, lock
9	216059708	Panel-inner lid
10	216923001	Plug button, 1/4", white
11	216130130	Lid, white
*	216858000	Screw, TH#8-18x.500AB, #10
14	216822900	Switch, light/lamp, ramp
15	297070300	Light Bulb, 25W, 130V
16	216817600	Socket, light/lamp, 25 W
18	297034202	Handle, recessed, chrome, w/gasket
23	297087400	Light, signal, amber
27	5303212828	Clip, panel mtg
27*	5304406520	Clip, panel mtg kit, (40)
34	216087900	Shield-light
47	216819900	Wiring Harness, lid/defrost, with light
56	297015600	Cap, sig light seal
104	297074200	Thermometer
*	5303917276	Insulation-door, fiberglass, (bulk)

**CABINET**

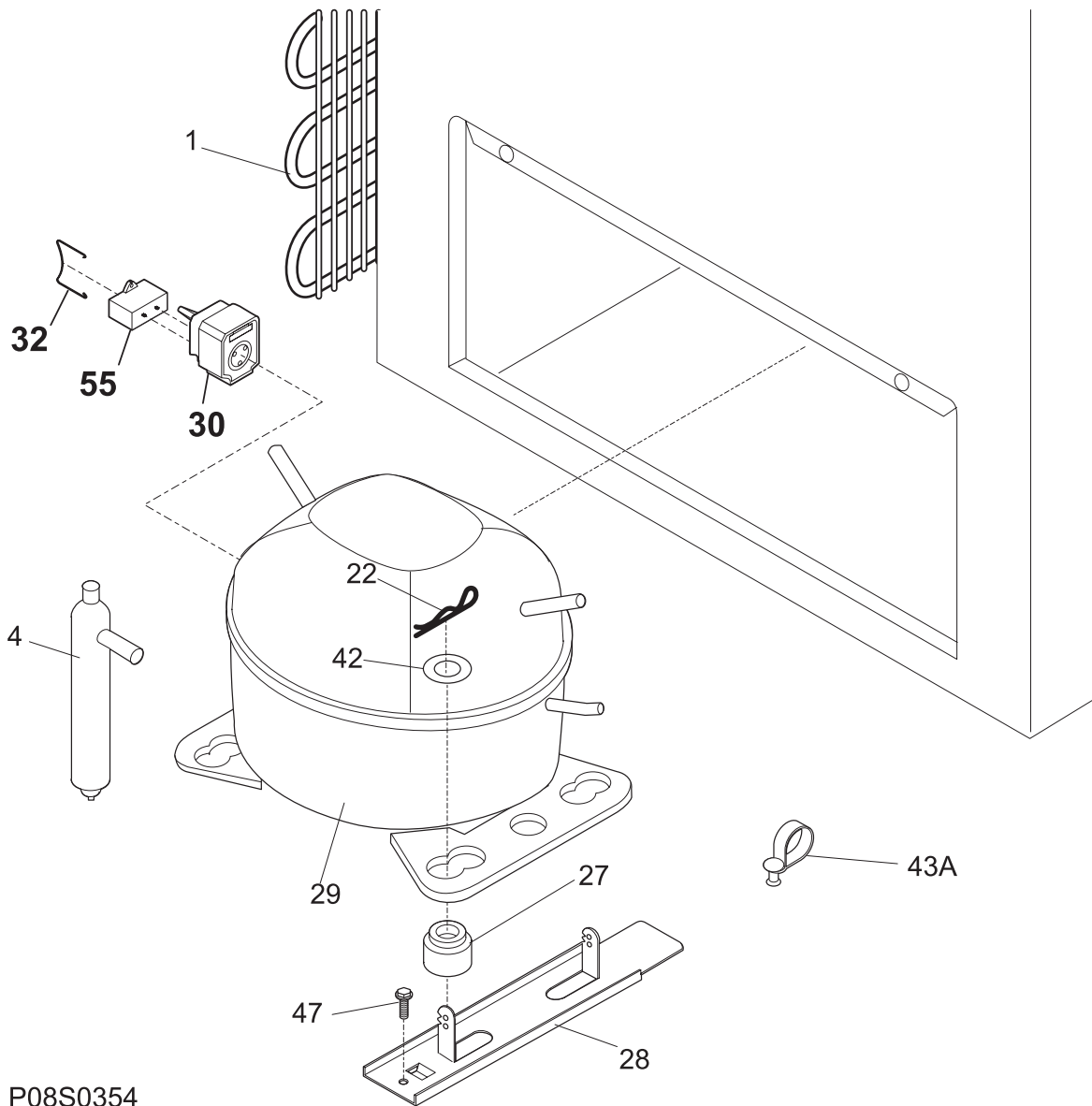
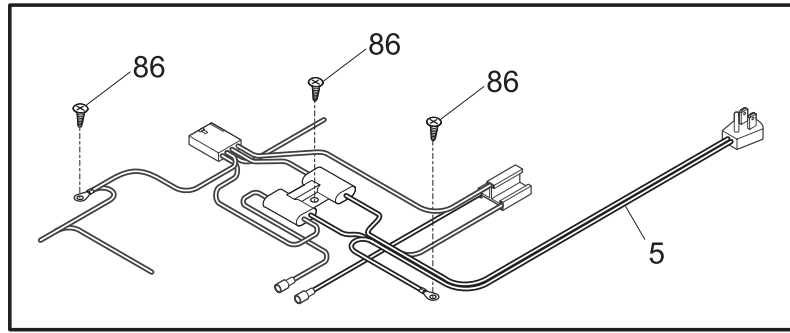


P08C0875

**CABINET**

POS. NO	PART NO.	DESCRIPTION
1	216954500	Catch-lock
3	216502600	Plug, drain, interior
4	297013600	Plug, drain, exterior
6	216955513	Breaker, hinge side
7	297129400	Breaker, lock side, w/lock catch
11	216955500	Breaker, chest end, (2)
12A	297146600	Nameplate, Commercial
18	216707201	Knob, temp control
21 #	216759000	Control-temperature
27	216629600	Screw, hex washer head, 10-16 x 0.500, tapping
28	216035300	Hinge
30	216110700	Breaker, corners
59	216703500	Basket
62	131420300	Screw, cr truss head, 8-18AB x 0.750
75	216034301	Panel, access, white
120	216621000	Caster
136	216726600	Guard-splash
*	216649700	CASTER PACK, 4 casters, wrench, 16 screws
*	5303305324	Paint, touch-up, white

**SYSTEM**



P08S0354

**SYSTEM**

---

POS. NO	PART NO.	DESCRIPTION
1 #	5303280307	Condenser
4 #	216938600	Drier-filter
5 #	216987300	Harness-main
22	216056400	Clip, compressor mtg, SPRING
28	5303212615	Support, compressor
27	5308002681	Grommet, compressor
29 #	297048200	Compressor, w/o electricals
30 #	297048300	Controller
32	241544101	Clamp, elec cont mtg, compressor, bale wire
42	216232700	Washer, flat, 1"OD x 0.531"ID
43A	5303212614	Clip, harness mount
47	216629600	Screw, hex washer head, 10-16 x 0.500, tapping
55	218909915	Capacitor, run, 220 VAC, 15 microfarad
86	216036600	Screw, ph washer head, 8-32CA x 0.500, thread forming
*	297102800	Spacer-tube